

MRC ARMATURES AND CONTAINER

IBC MANHOLE SEAL

Universal fitting manhole seal fit for all types of IBC
Container or FIBC

Tel.: +49 7808 913 8604

Fax +49 7808 8611

EMAIL: info@mrc-solutions.eu

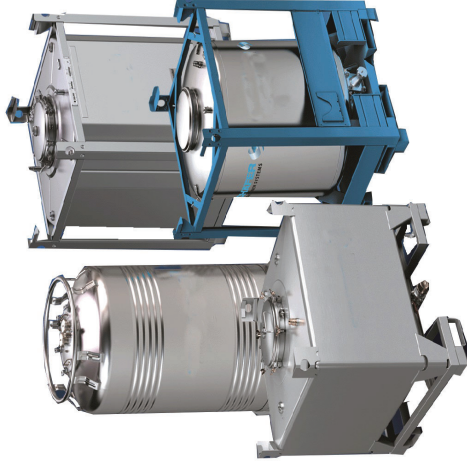
MRC Solutions GmbH

Grafenstrasse 27

D-83098 Brannenburg/Germany



STAND 01.07.2020



STAINLESS STEEL IBC



MANHOLE SEAL FOR POWDER IBC OR FIBC

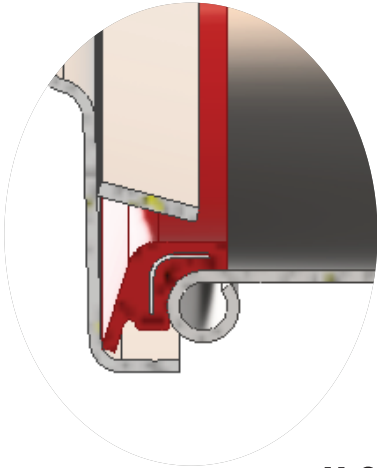
FLEX BAG (FIBC)

Assembly of manhole seal within a few seconds without tools. Easy cleaning due to GMP design without dead zones. Suitable for liquid or powder medium

UNIVERSAL MANHOLE SEAL FOR IBC CONTAINER

MATERIAL FOR GASKETS

- EPDM white / black
- NBR white
- Silicone 60 #5 Shore A white
- FEP (EPDM-core) .



ADVANTAGES IN OPERATION

- Reduction of parts creates savings effects in warehouse logistics
- Time saving / service life in seconds and material friendly assembly of the seal without tools such as knives, screwdrivers, etc.
- Fast and efficient cleaning, cavity free construction enables mechanical cleaning of manhole lids
- Safe sealing: endless seal shaped in the tool without adhesive point
- Shape-stable seal design: cannot fall into containers
- Savings in container procurement: simpler lid design, welded and expensive fixtures (sealing holders) in the manhole lid can be omitted
- no dead mixing zones while operating in tumble blender



MRC Locking ring system for tumble blending:

- self securing and squeezing free locking ring
- lid in GMP/CIP desing suitable for machine cleaning

The manhole seal is available in different dimensions. Dimensions in DN500 and DN 600 are also available on request with the appropriate number of pieces. As standard, the following dimensions are available:

nominal diameter	outer ø	inner ø
DN 400	320 x 53	225 x 53
DN 457	490 x 53	395 x 53
DN 500	510 x 53	488 x53



LID LOCKING

no matter if screw- or locking ring cover : MRC universal seal fits into any manhole of IBC container:

- screw cover DN457/400 with swing bolts
- locking ring cover DN457/400 VDA
- unique types of MRC manhole lids design available

